



Bento IP 6 LEDS

LedsC4 Team

Downlight Bento IP 6 LEDS 12.2 LED warm-white 3000K CRI 90 15.8° White IP65 1119lm

Technical features

- Luminaire total power: 12.2W
- Real lumens: 1119
- Real lm/W: 92
- Correlated Colour Temperature (CCT): LED warm-white 3000K
- Lens / reflector angle: SPOT 17°
- UGR: <=16
- Structure material: Aluminium, Polycarbonate
- Structure finish: White
- Diffuser material: Glass
- Diffuser finish: Transparent, Black
- Equipment necessary but not included
- Voltage / frequency: 18V/max.700mA
- Useful life: 50,000h L80B20
- Warranty: 5 años



Luminotechnic features

- Luminance C0°G65°: 122
- Luminance C90°G65°: 72
- CRI: 90
- MacAdam steps: 3
- Photobiological risk: RG1

UGR S=0.250		Lampholder	Quantity	Light source power (W)
Ceiling / cavity	0.7	LED	1	12.2W
Walls	0.5			
Working Plane	0.2			
Room dimensions	X=4H, Y=8H			
UGR crosswise	7.4			
UGR lengthwise	10.7			

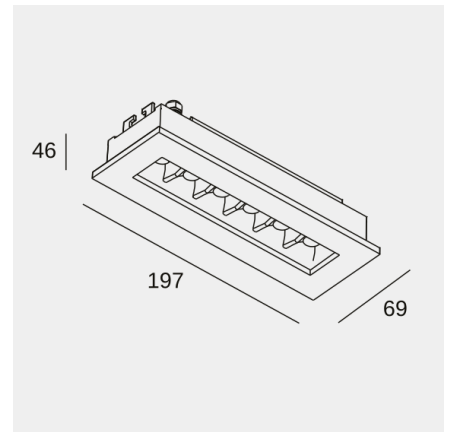
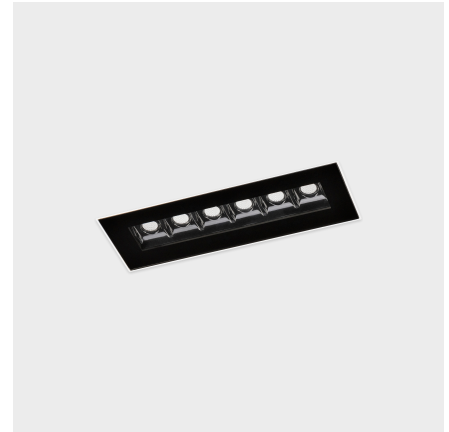


Image may not match reference. LedsC4 reserves the right to amend any of the product's components. The data related to flux, power and colour temperature may be subject to changes made by the manufacturer.

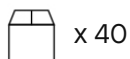


Bento IP 6 LEDS

LedsC4 Team

Downlight Bento IP 6 LEDS 12.2 LED warm-white 3000K CRI 90 15.8° White IP65 1119lm

Logistics



x 40

Net weight (kg): 0.46

Packaged weight (kg): 0.53

Packaging: 210mm x 80mm x 70mm

Image may not match reference. LedsC4 reserves the right to amend any of the product's components. The data related to flux, power and colour temperature may be subject to changes made by the manufacturer.