

SINGLE FRAME INSTALLATION | DEA DIANA S

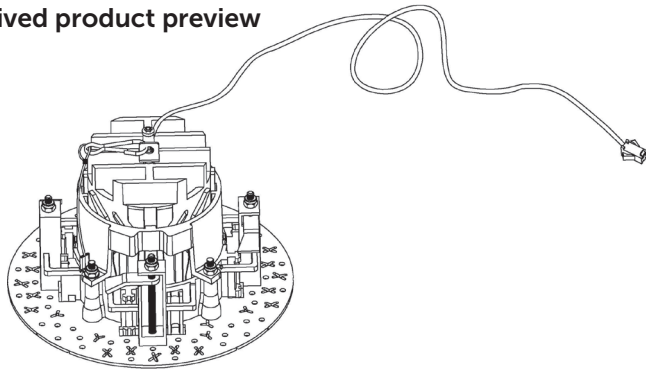
PREPARATIONS:

Before assembling the luminaire, carefully read these instructions to make sure the luminaire functions correctly and safely • The mains isolator on the consumer unit/fuse board must be in "OFF" position before commencing any electrical work • The luminaires should be mounted on a flat, smooth surface • With all painted/plated products some shade and finishing variation may occur, please make sure the luminaires are checked before installation • The luminaire must not be modified. Modifying the luminaire in any way invalidates the guarantee of conformity with standards and directives in force and it could make the actual luminaire hazardous • Before connecting the luminaire, make sure the mains power supply corresponds to the power indicated on the luminaire label • Never cover the luminaire during use. Luminaires classified for indoor use must never be used outdoors even if they are protected from the elements • The manufacturer reserves the right to change the product specification without prior notice.

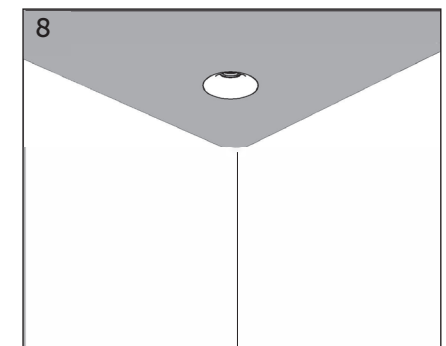
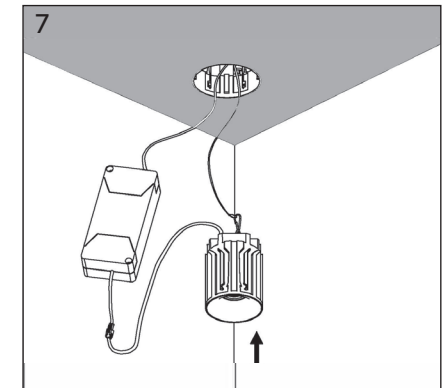
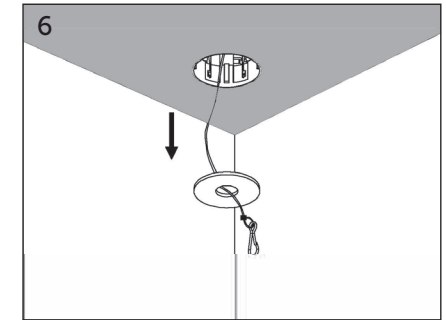
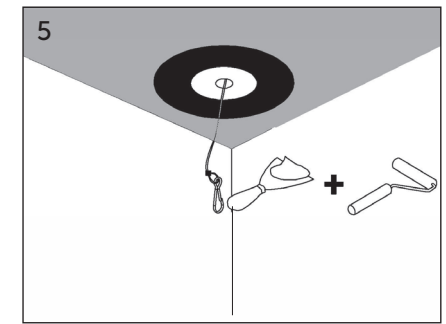
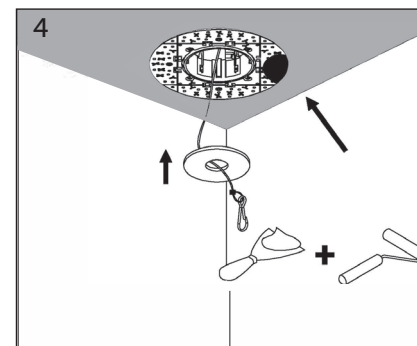
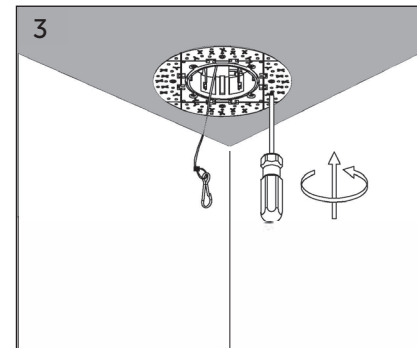
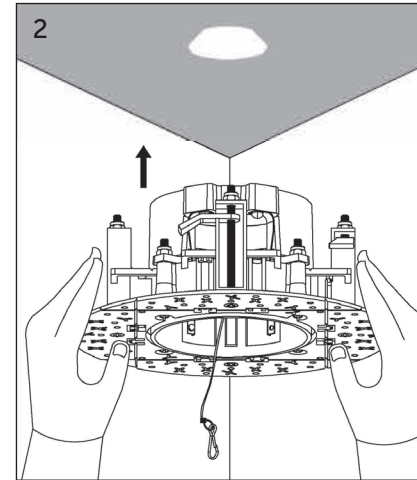
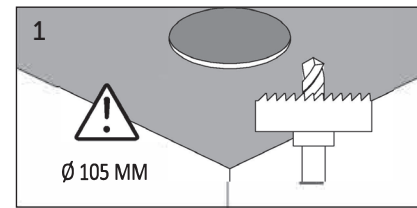
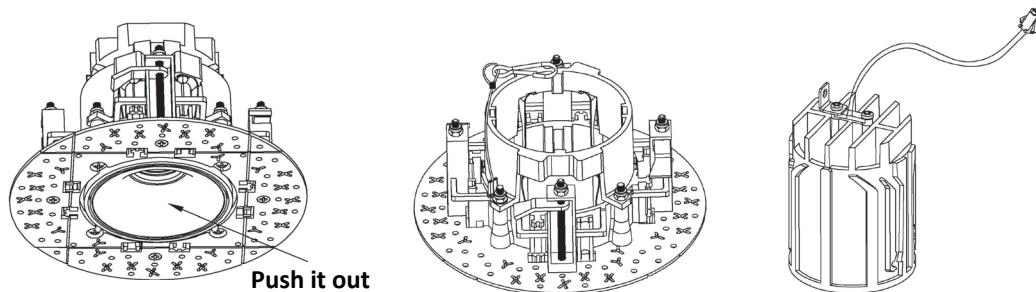
! PLEASE NOTE: Installation must be done by qualified and trained personnel !



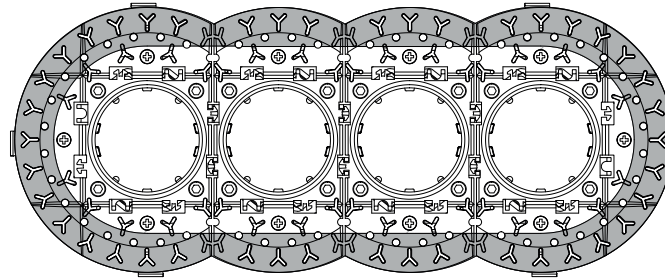
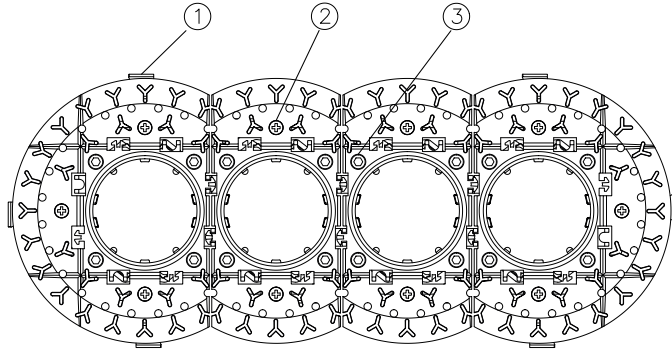
The received product preview



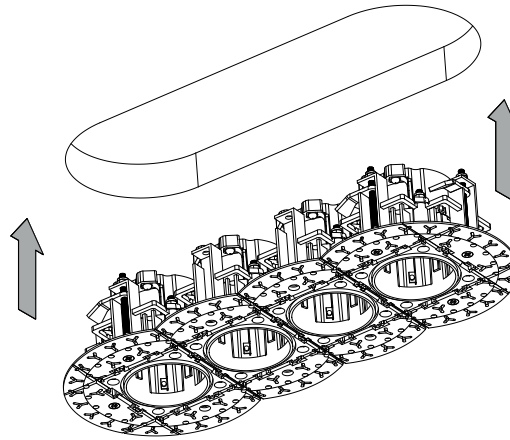
Push the inner part to let the LED fitting be separated from the mounting kit!



- ① CLAMPING PLATES FOR MOUNTING INTO CEILING.
- ② ⊕ SCREWS TO TIGHTEN CLAMPING PLATES DURING INSTALLATION.
- ③ ⊙ THE SCREWS ARE USED FOR LUMINAIRE'S STRUCTURE. DON'T TOUCH THEM DURING INSTALLATION.

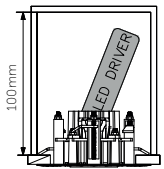
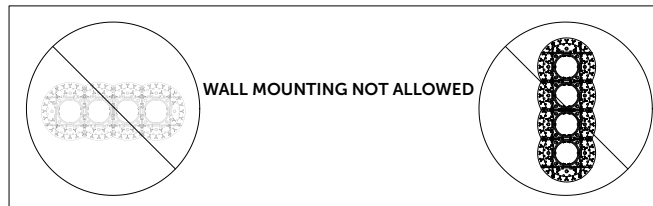


USE PLASTERBOARD GLUE ALL AROUND FLANGE BORDER
(DO NOT USE SILICONE ADHESIVE)

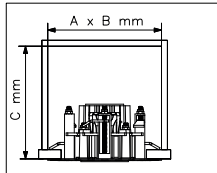


CEILING THICKNESS BETWEEN 2mm - 30mm

PUSH OUTER BORDER OF THE FLANGE
FLAT AGAINST THE CEILING



MINIMUM HEIGHT TO TILT-IN
DRIVER AFTER INSTALLATION
! NOT POSSIBLE

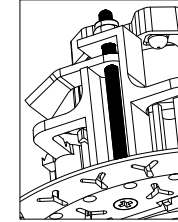


MINIMAL
VOLUME:
AxBxC

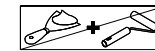
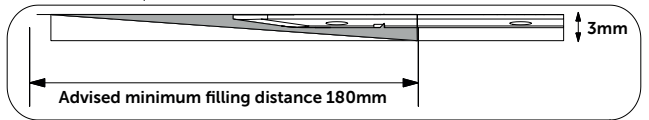
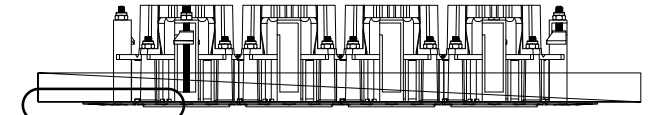
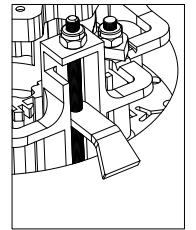
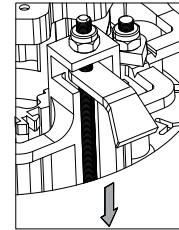
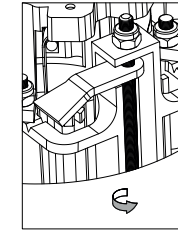
Dea Diana S

		140x140x100
		140x220x100
		140x295x100
		140x370x100

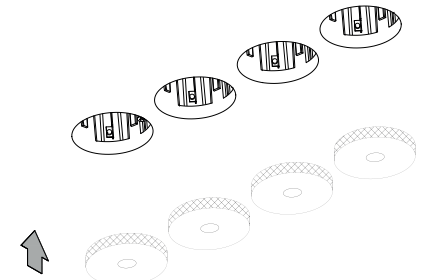
TURN THE SCREW TO MOVE
CLAMP UP/DOWN

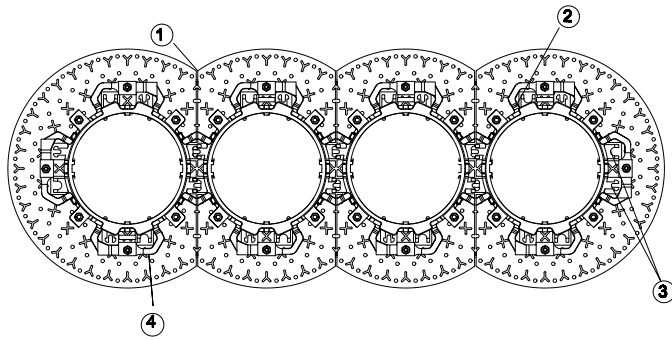


USE LOW TORQUE- AND SPEED SETTINGS

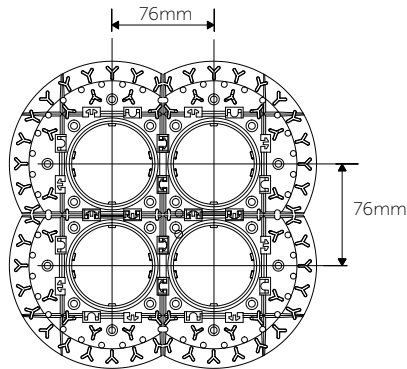


PROTECT INSIDE OF
THE FRAME FROM
FILLER.
(USE INCLUDED
CARDBOARD
TEMPLATE)





- ① BREAK-OFF LINES FOR COMBINING FRAMES
- ② CUT MARKS ON REINFORCEMENT ARM FOR COMBINING FRAMES
- ③ SNAP FEATURES FOR COMBINING FRAMES
- ④ REINFORCEMENT ARM

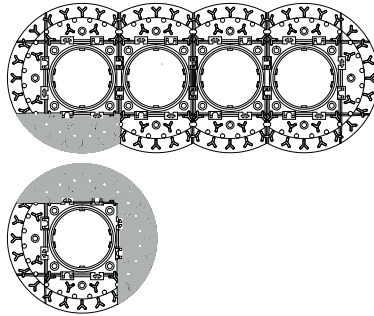


CENTER DISTANCE BETWEEN COMBINED FRAMES ALWAYS 76mm

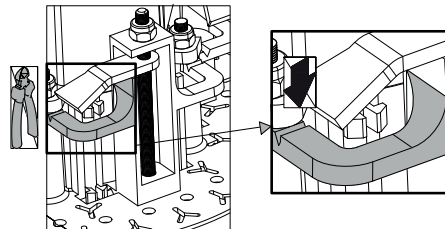
STEP 1: COMPOSE YOUR INDIVIDUAL DESIGN



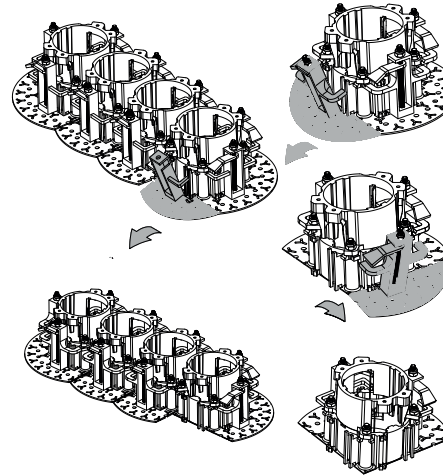
STEP 2. PRESENT YOUR COMPOSED COMBINATION TO SEE WHICH BREAK-OFF LINES ARE APPLICABLE.



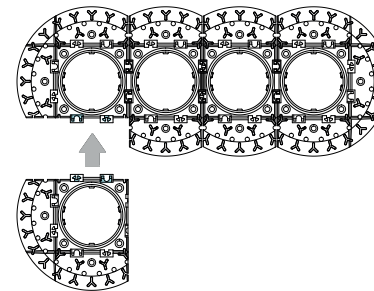
STEP 3. USE SIDE CUTTER TO CUT LOOSE CORRECT REINFORCEMENT ARMS ON THE CUT MARKER



STEP 4. BREAK-OFF THE FLANGES ON THE CORRECT BREAK-OFF LINES



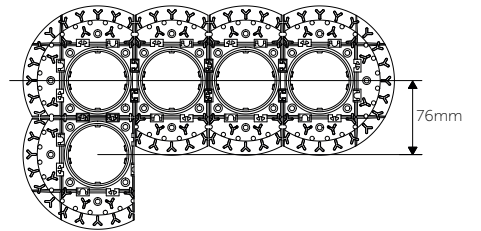
STEP 5. CONNECT THE FRAMES BY PRESSING THE SNAP FEATURES INTO EACH OTHER



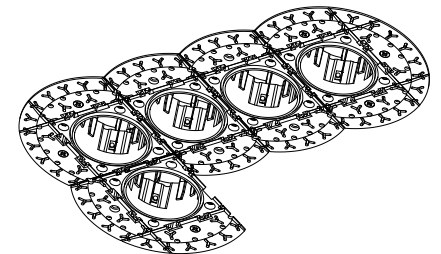
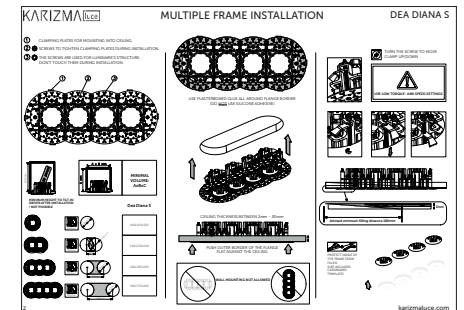
The individual frames' front sides should be placed on a very flat work table while connecting them together by pressing.

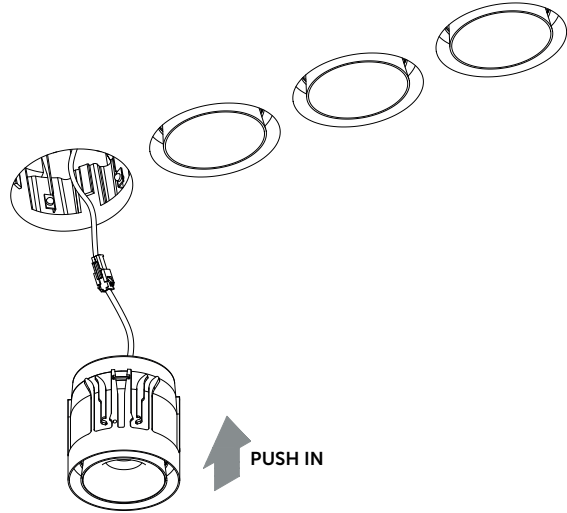
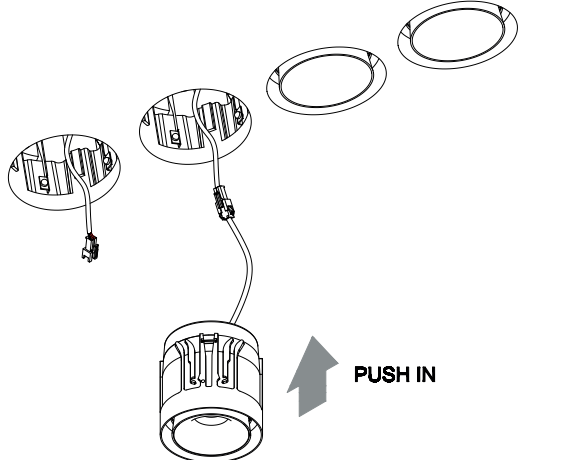
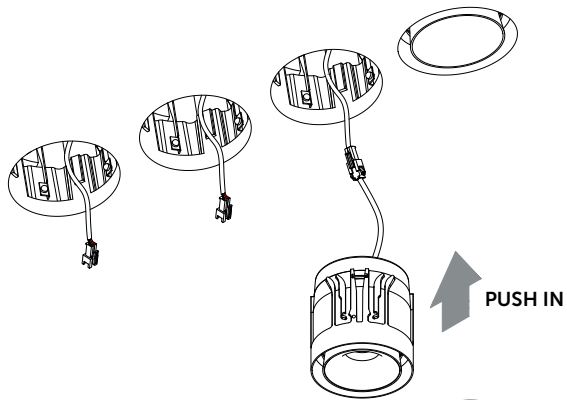
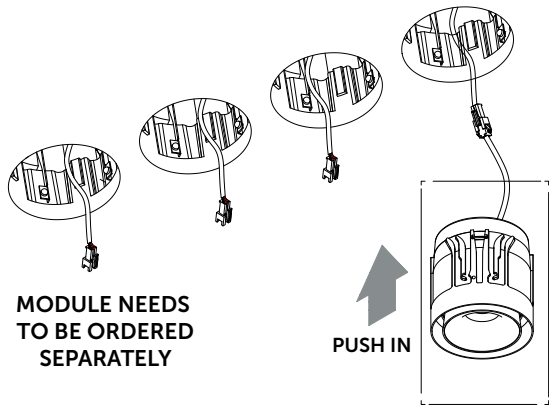


STEP 6. USE THE CENTER MARKERS TO DEFINE HOLE SAW CENTERS

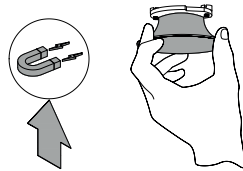
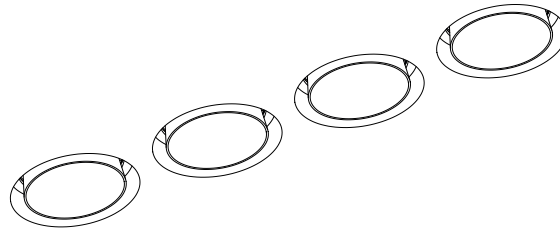


STEP 7. INSTALL THE FRAME BY USING INSTALLATION INSTRUCTION

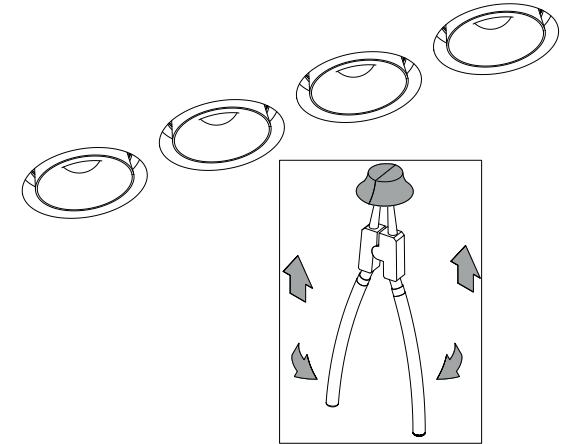




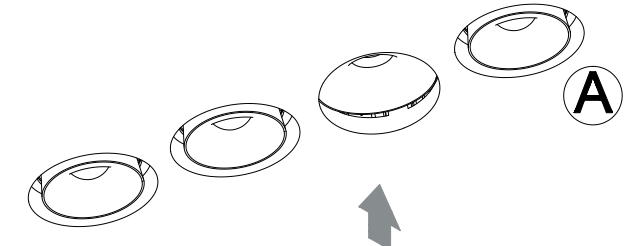
FIRST LATCHED POSITION



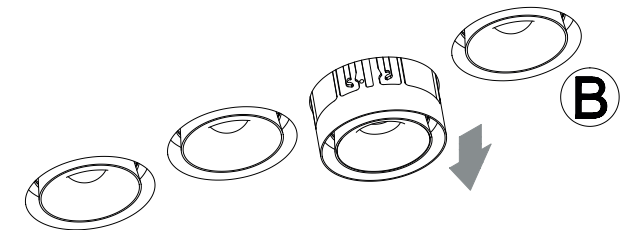
THE LIGHT SOURCE CONTAINED IN THIS LUMINAIRE SHALL ONLY BE REPLACED BY THE MANUFACTURER OR HIS SERVICE AGENT OR A SIMILAR QUALIFIED PERSON



NOTES:
A special tool to help you to change the reflectors you want.



Push module up to let it fall down itself at the preset position



Pull module down out of the mounting kit for relamping or power supply changing