



Bento Standard 6 LEDS Trim

LedsC4 Team

Downlight Bento Standard 6 LEDS Trim 12.2 LED warm-white 3000K CRI 90 15.8° Black IP23 1119lm

Technical features

Luminaire total power: 12.2W

Real lumens: 1119

Real lm/W: 92

Correlated Colour Temperature (CCT): LED warm-white 3000K

Lens / reflector angle: SPOT 17°

UGR: <=16

Structure material: Aluminium, Polycarbonate

Structure finish: Black

Equipment necessary but not included

Voltage / frequency: 18V/max.700mA

Useful life: 50,000h L80B20

Warranty: 5 años



Luminotechnic features

Luminance C0°G65°: 122

Luminance C90°G65°: 72

CRI: 90

MacAdam steps: 3

Photobiological risk: RG1

UGR		Lampholder	Quantity	Light source power (W)
S=0.250				
Ceiling / cavity	0.7	LED	1	12.2W
Walls	0.5			
Working Plane	0.2			
Room dimensions	X=4H, Y=8H			
UGR crosswise	7.4			
UGR lengthwise	10.7			

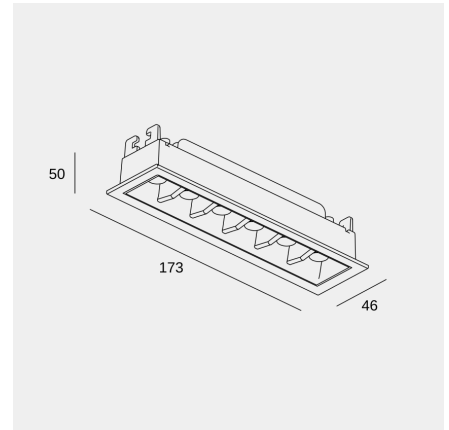


Image may not match reference. LedsC4 reserves the right to amend any of the product's components. The data related to flux, power and colour temperature may be subject to changes made by the manufacturer.

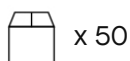


Bento Standard 6 LEDS Trim

LedsC4 Team

Downlight Bento Standard 6 LEDS Trim 12.2 LED warm-white 3000K CRI 90 15.8° Black IP23 1119lm

Logistics



x 50

Net weight (kg): 0.24

Packaged weight (kg): 0.36

Packaging: 60mm x 55mm x 185mm

Image may not match reference. LedsC4 reserves the right to amend any of the product's components. The data related to flux, power and colour temperature may be subject to changes made by the manufacturer.