



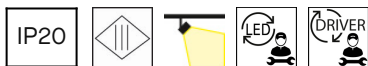
## Tango 2 Spots

LedsC4 Team

Tango 2 Spots Low voltage 2.8 LED warm-white 3000K CRI 90 DALI White 297lm

### Technical features

- Luminaire total power: 2.8W
- Real lumens: 297
- Real lm/W: 106
- Correlated Colour Temperature (CCT): LED warm-white 3000K
- Lens / reflector angle: MEDIUM 25°
- UGR: <=16
- Structure material: Aluminium
- Structure finish: White
- Equipment necessary but not included
- Voltage / frequency: 48 VDC
- Dimming protocol: DALI
- Power Factor: NULL
- Useful life: 50,000h L80B20
- Warranty: 5 años
- Easily recyclable luminaire



### Luminotechnic features

- Luminance C0°G65°: 140
- Luminance C90°G65°: 140
- TM30 RG: 98
- TM30 RF: 92
- Melanopic ratio: 0.540
- CRI: 90
- MacAdam steps: 3
- Photobiological risk: RG1

UGR	
S=0.250	
Ceiling / cavity	0.7
Walls	0.5
Working Plane	0.2
Room dimensions	X=4H, Y=8H
UGR crosswise	5.2
UGR lengthwise	5.2

Lampholder	Quantity	Info	Light source power (W)
LED	1	SPOT	2.8W

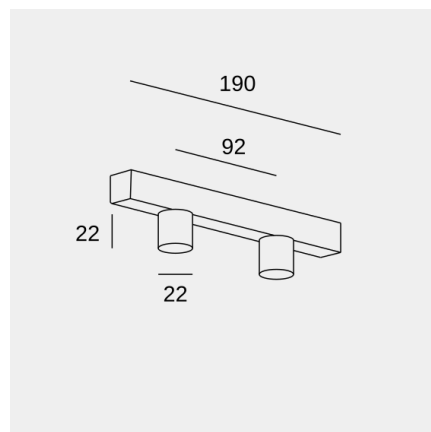


Image may not match reference. LedsC4 reserves the right to amend any of the product's components. The data related to flux, power and colour temperature may be subject to changes made by the manufacturer.

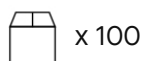


## Tango 2 Spots

LedsC4 Team

Tango 2 Spots Low voltage 2.8 LED warm-white 3000K CRI 90 DALI White 297lm

### Logistics



x 100

Net weight (kg): 0.06

Packaged weight (kg): 0.11

Packaging: 60mm x 35mm x 205mm

### Light application



Image may not match reference. LedsC4 reserves the right to amend any of the product's components. The data related to flux, power and colour temperature may be subject to changes made by the manufacturer.