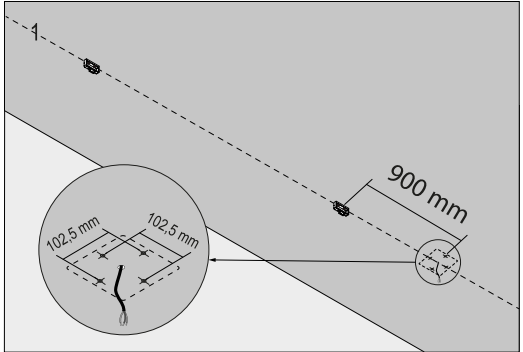
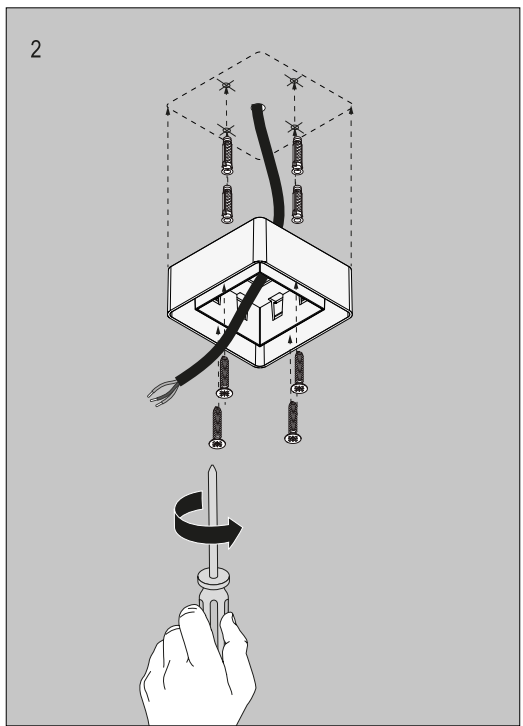
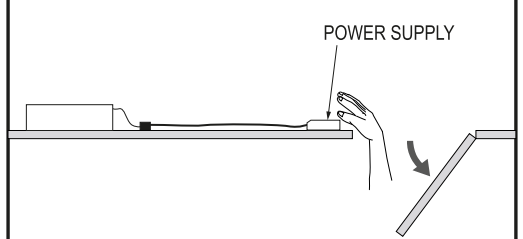


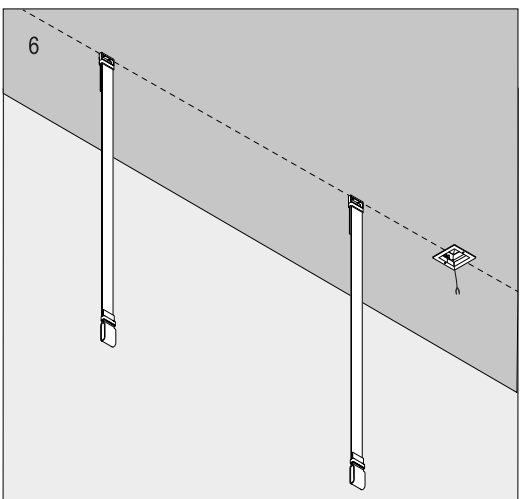
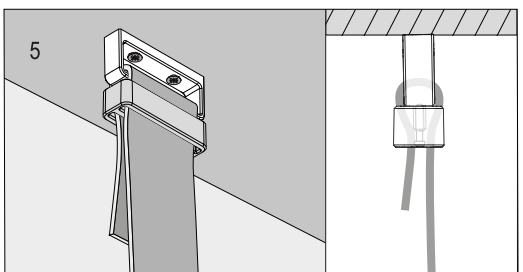
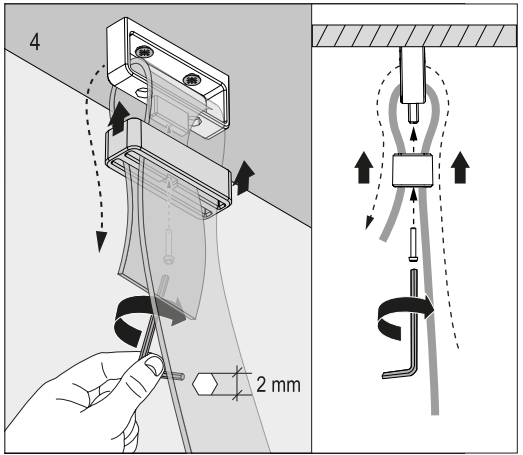
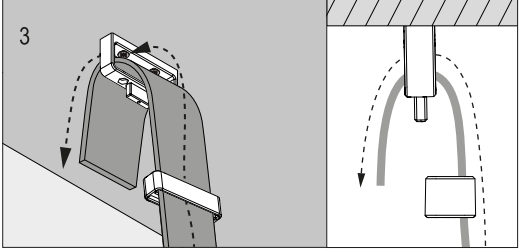
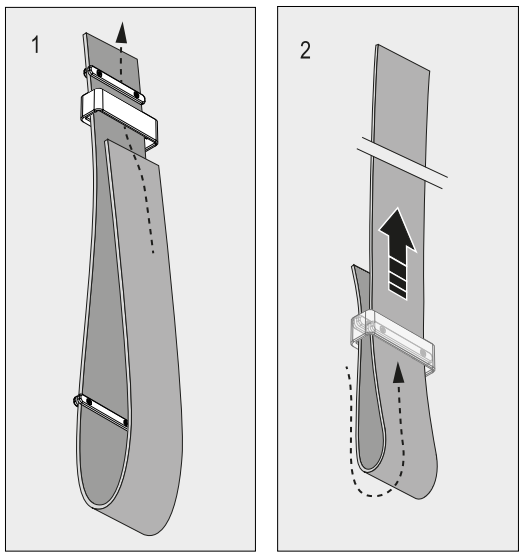
2.2 SURFACE



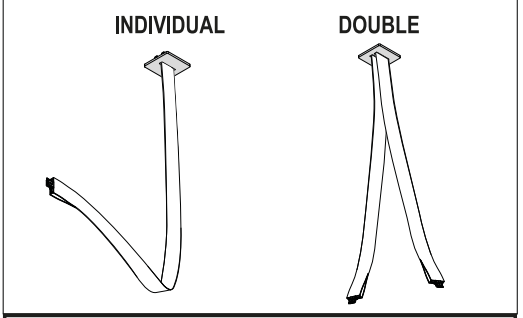
⚠ Install driver in accessible position



1. SUSPENSION STRAP INSTALLATION



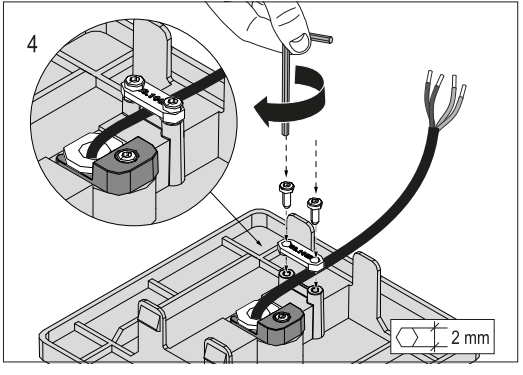
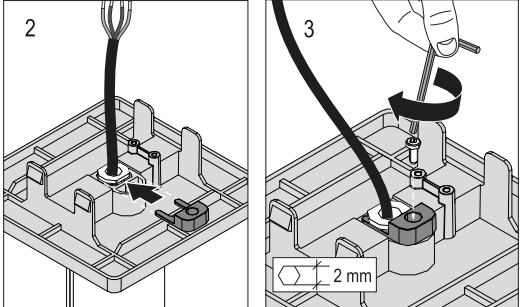
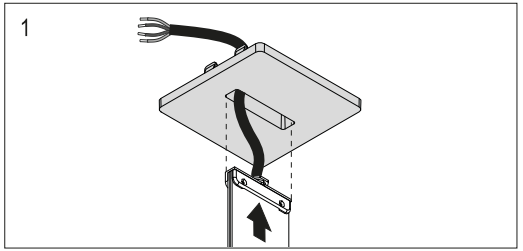
2. POWER LOOP CEILING INSTALLATION



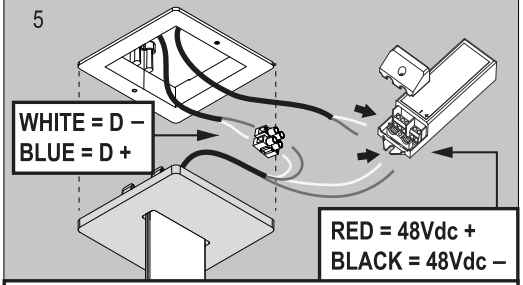
⚠ 48V power loop recommended regarding the suspension stram selected

03.8520.DD + 03.8510.DD
 03.8521.DD + 03.8511.DD or 03.8513.DD
 03.8522.DD + 03.8512.DD or 03.8514.DD

2.1 INDIVIDUAL

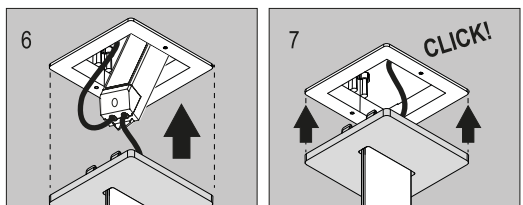


RECESSED

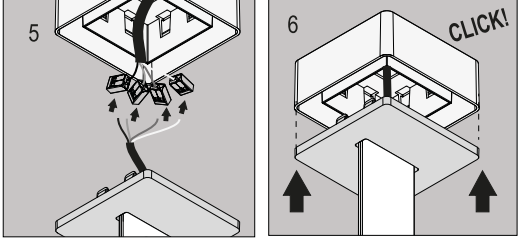


⚠ FOR CASAMBI CONNECT ONLY THE POWER CABLES

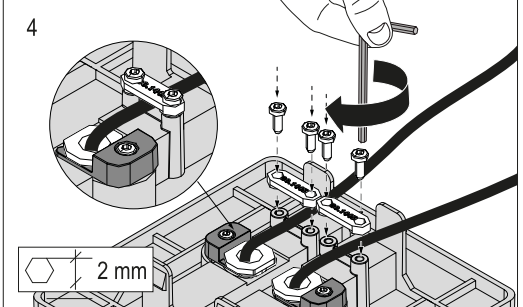
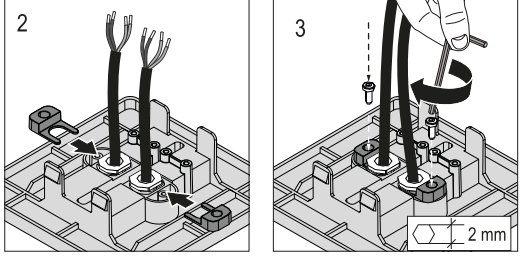
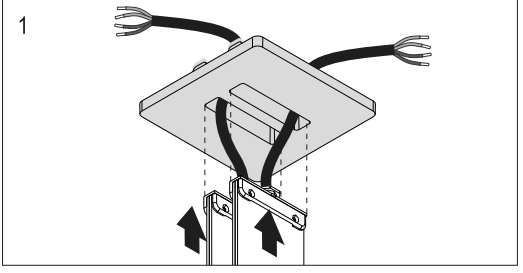
US VERSION
⚠ USE ONLY WITH REMOTE CLASS 2 ACCESSIBLE LISTED DRIVER



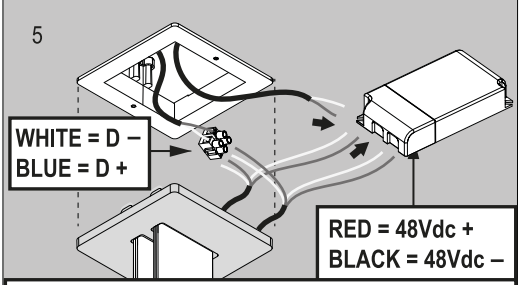
SURFACE



2.2 DOUBLE

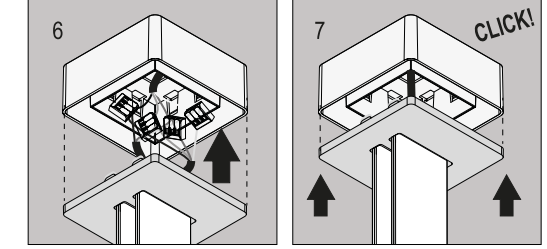
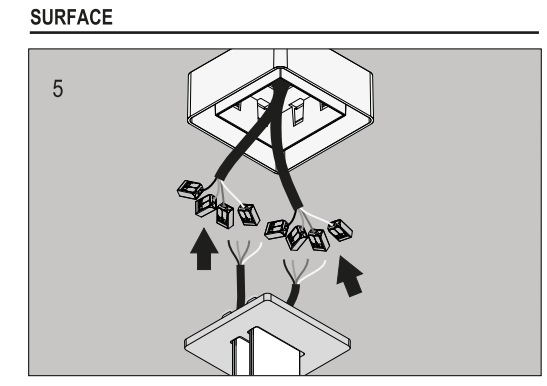
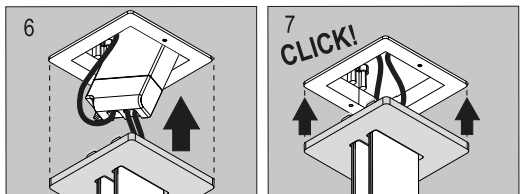


RECESSED

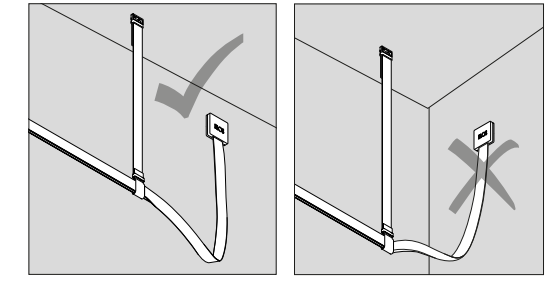
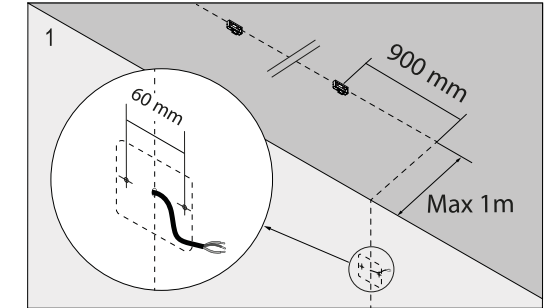


⚠ FOR CASAMBI CONNECT ONLY THE POWER CABLES

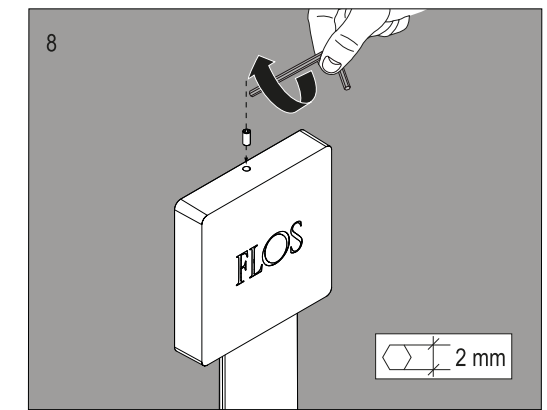
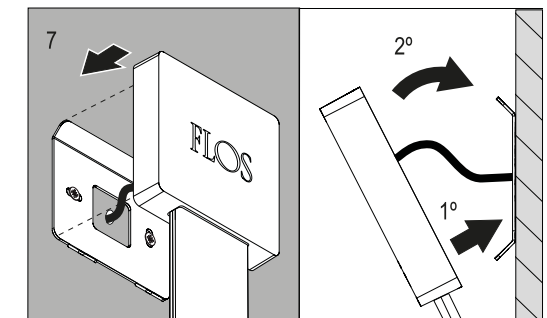
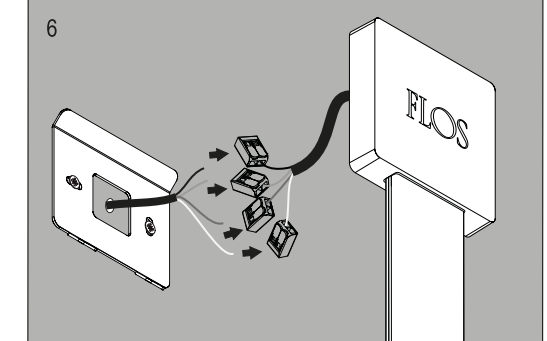
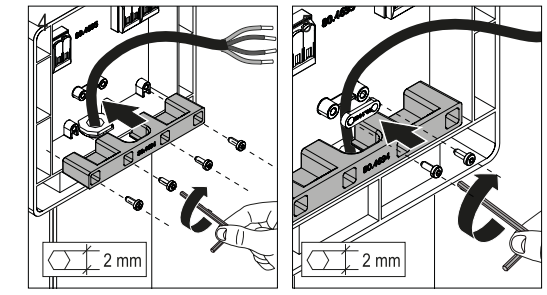
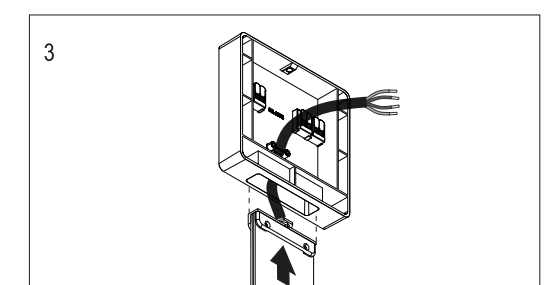
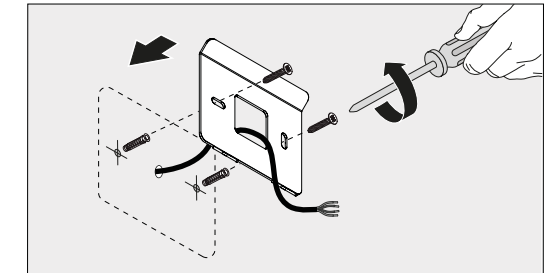
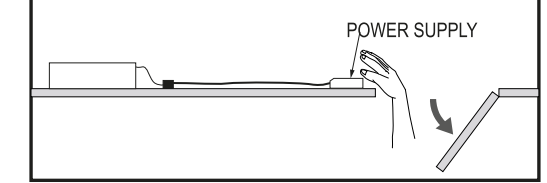
US VERSION
⚠ USE ONLY WITH REMOTE CLASS 2 ACCESSIBLE LISTED DRIVER



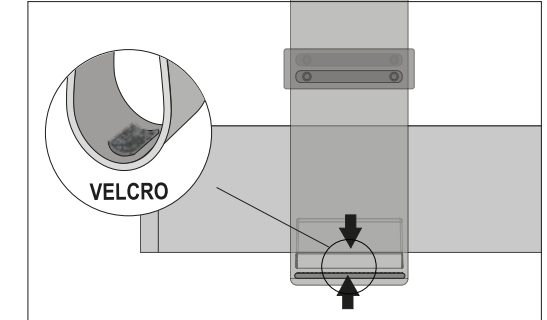
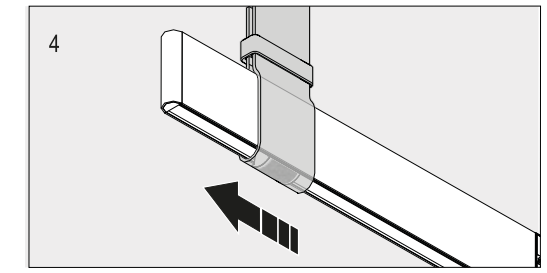
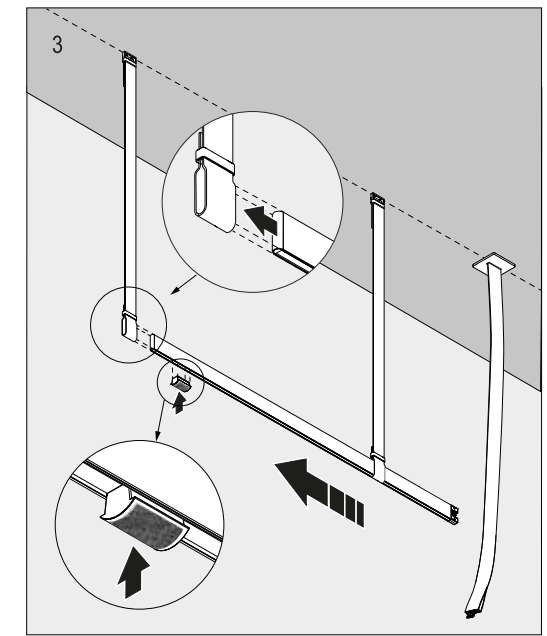
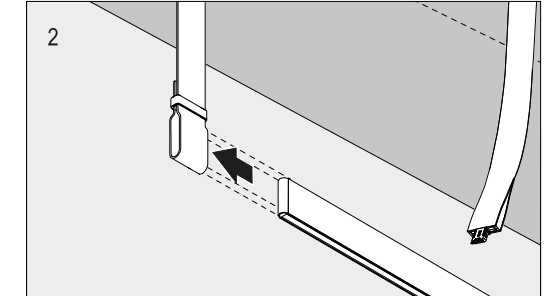
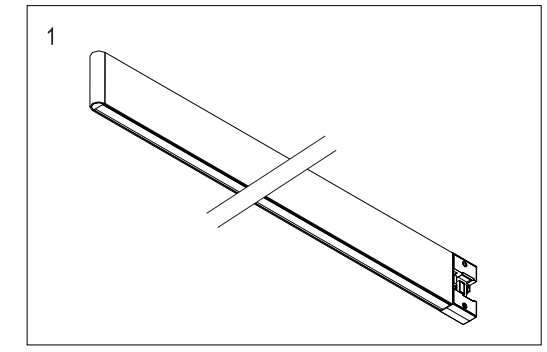
2. POWER LOOP WALL INSTALLATION



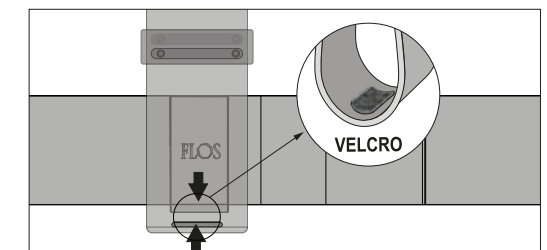
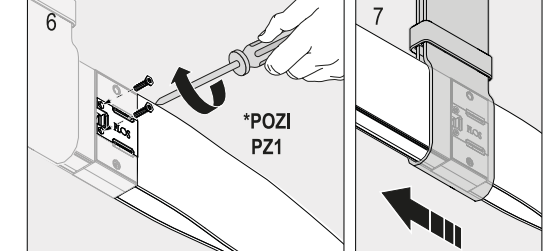
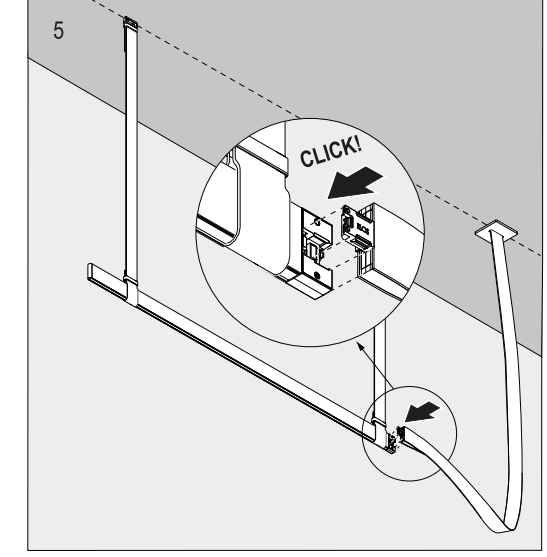
⚠ Install driver in accessible position



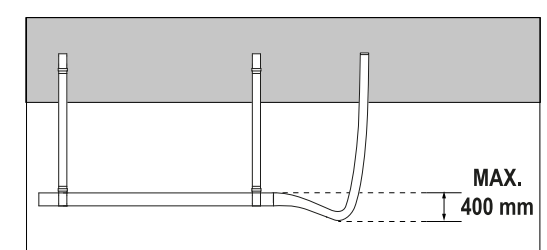
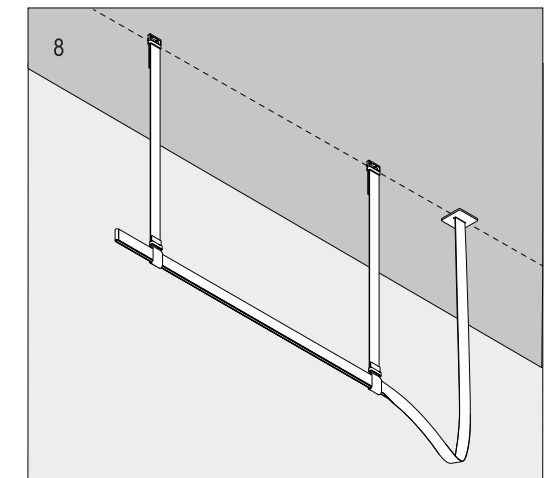
3. LIGHT MODULE INSTALLATION



⚠ USE THE VELCRO TO FIX THE LUMINAIRE



⚠ USE THE VELCRO TO FIX THE LUMINAIRE



⚠ Ensure this mesure for all cases, wall or ceiling

⚠ WARNING: The dimming control for all versions will be 1% to 100%.

⚠ CASAMBI VERSION

- MAX. 15 meters between the luminaire and the control device always in an open space.
 - To know more about all CASAMBI options visit www.casambi.com

⚠ WARNING!

Calculate the total power of system output by applying a safety coefficient of +15% without exceeding the driver's full potential.