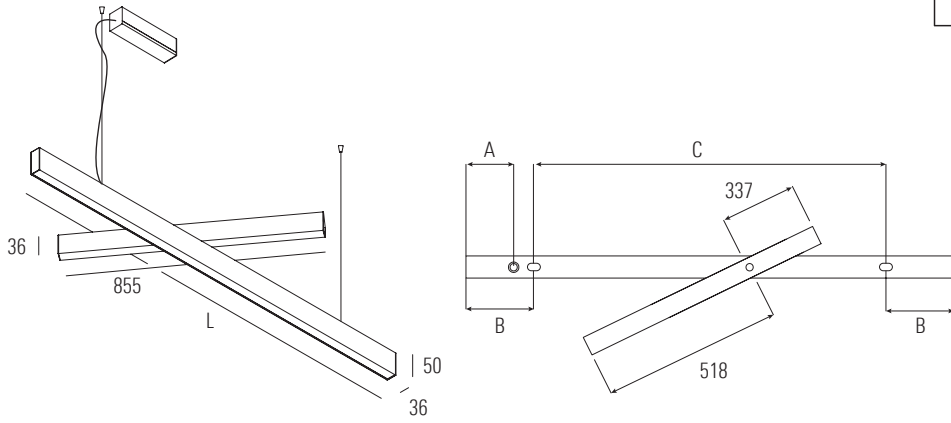




# 1 PACKAGING AND DIMENSIONS



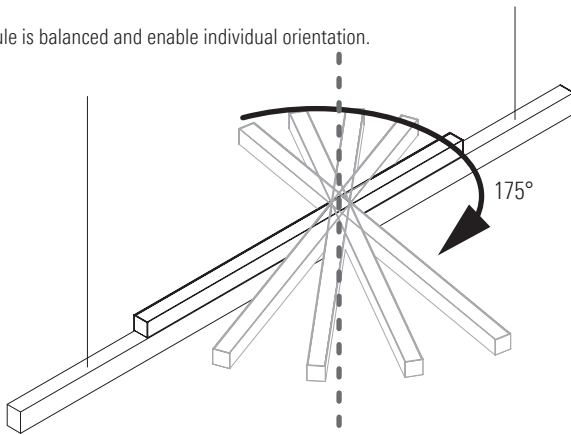
## Night & Day

L	A	B	C
1685	264	291	1103
1965	364	391	1183
2245	464	491	1263
2525	564	591	1343

## Night & Day TW

L	A	B	C
1685	264	201	1283
1965	364	301	1363
2245	464	401	1443
2525	564	501	1523

Indirect module is balanced and enable individual orientation.

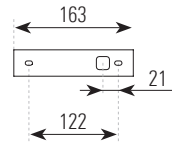


L = module length

A = power entry

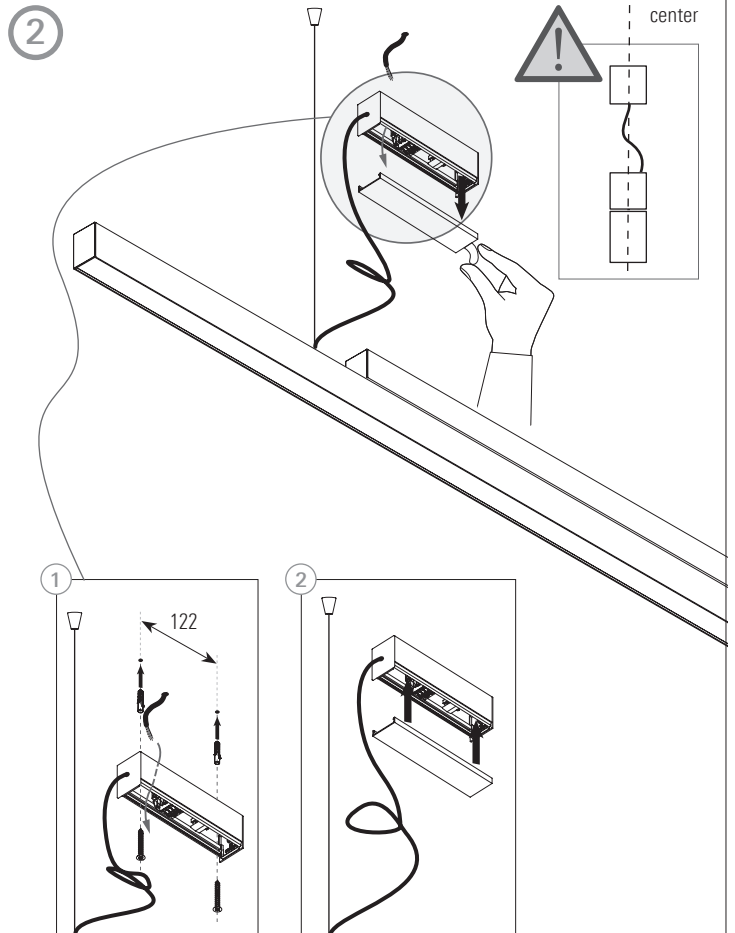
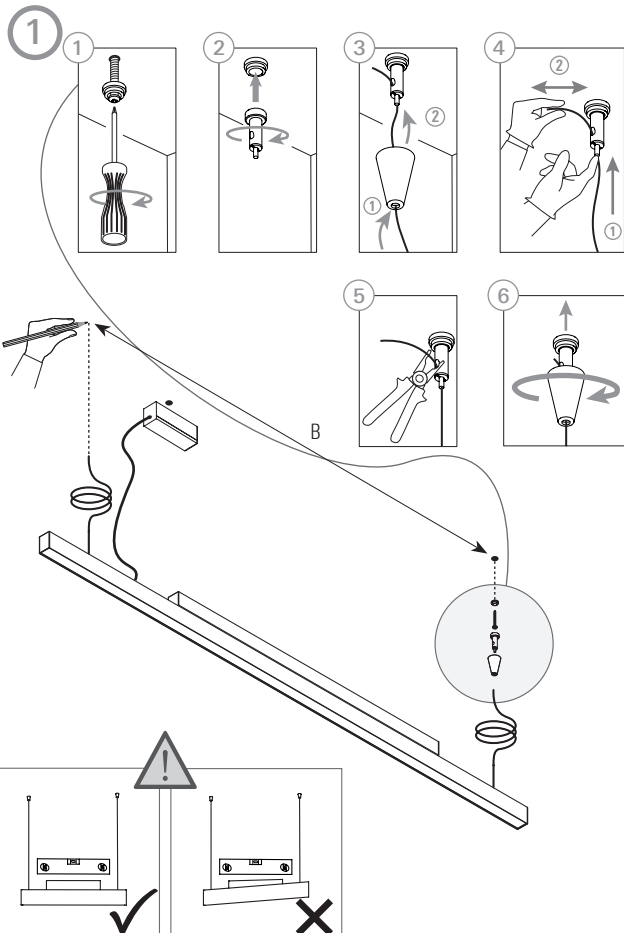
B = position of suspended mounting

## CEILING CUP - TOP VIEW



C = distance between mounting points

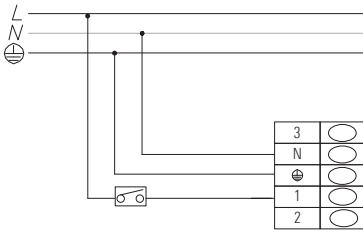
# 2 ELECTRICAL CONNECTION



### 3 ELECTRICAL CONNECTION

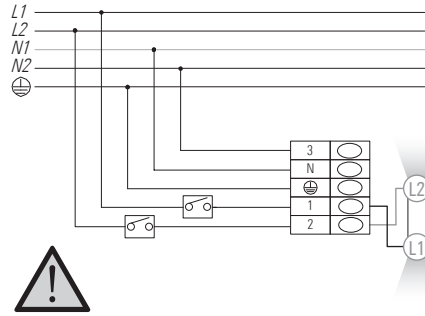
FO (3 core cable) 5P

230 V



FO - double switch (5 core cable) 5P

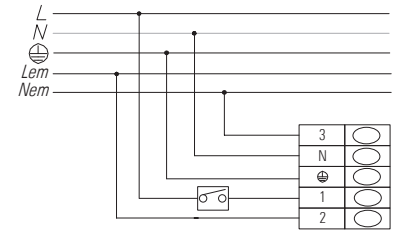
230 V



In case of a common neutral line, it is necessary to bridge N and 3.

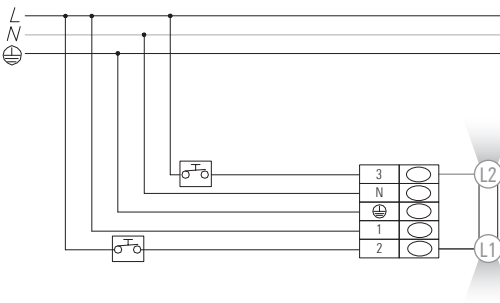
FO EM (5 core cable) 5P

230 V



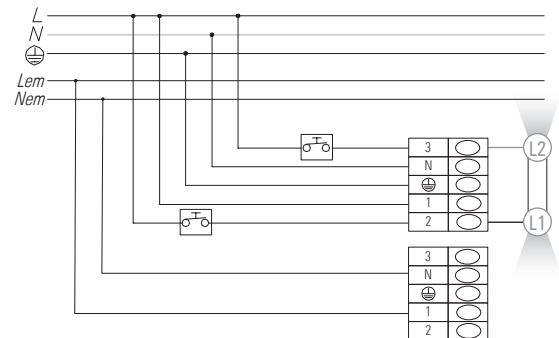
TD - touch dim double switch (5 core cable) 5P

230 V



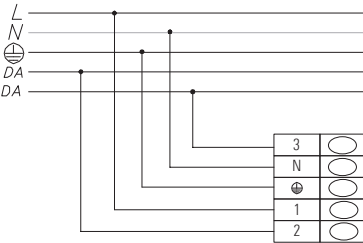
TD EM - double switch (5+3 core cable) 5P+5P

230 V



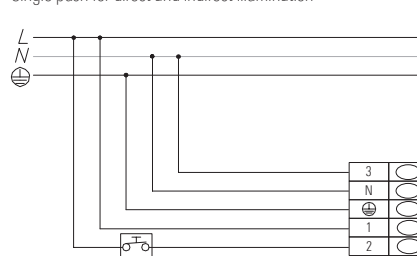
DALI (5 core cable) 5P

230 V



DALI - touch dim (5 core cable) 5P

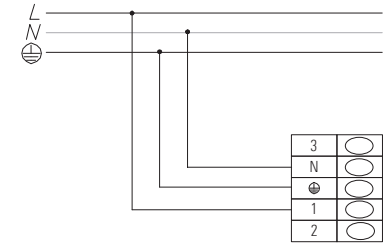
230 V



Single push for direct and indirect illumination

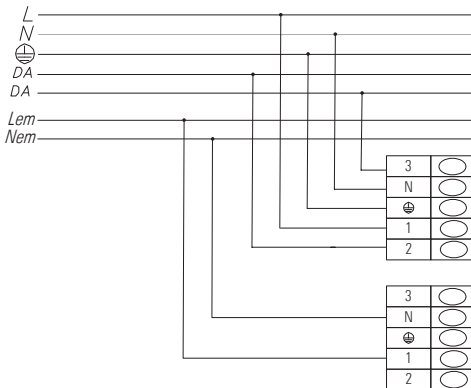
DALI-CASAMBI (3 core cable) 5P

230 V



DALI EM (5+5core cable) 5P+5P

230 V



In case of **DALI - touch dim operation** we strongly recommend that you use the following TD controller (code 702150225) so as to avoid any luminaire malfunction or technical problems following the installation procedure. For more information about **TD controller** and **CASAMBI** check our web site: [www.intra-lighting.com/LUMINAIRE-CONTROL](http://www.intra-lighting.com/LUMINAIRE-CONTROL).



#### WARNING!

DO NOT CONNECT DRIVER WITH MAINS VOLTAGE ON!

**GB** Do not connect driver with mains voltage on! **SLO** Ne priklaplajite predstikalne naprave s priključeno omrežno napetostjo! **D** Den Treiber nicht bei eingeschalteter Netzspannung anschließen! **E** No conecte el controlador con la corriente eléctrica encendida! **F** Ne branchez pas le moteur lorsque l'alimentation secteur est présente! **I** Non collegare il driver con l'alimentazione accesa! **NL** Sluit de driver niet aan wanneer de lamp onder spanning staat! **DK** Driveren må ikke tilkobles, når netspændingen er tilsuttet! **HR** Ne vršiti priključivanje kada je uključen mrežni napon! **SRB** Nemojte da priključujete svetiljku kada je uključen mrežni napon! **CZ** Nepřipojujte ovládač se zapnutým hlavním napětím! **RU** Подключайте драйвер при выключенном сетевом напряжении!